

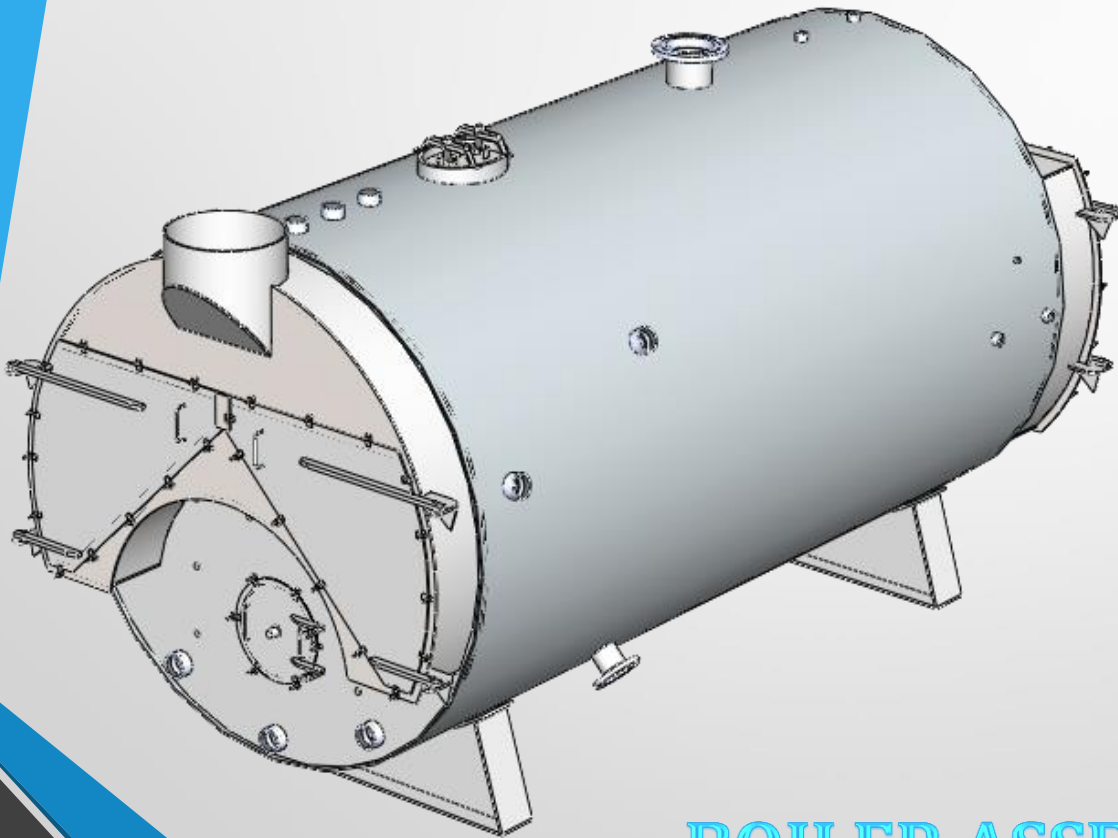


Our Scope Of Work

- Mechanical Products & Machineries.
- Medical Instrument Product Modeling.
- Wooden Work & Interior Designing.
- Sheet-metal Design.
- Electrical Products & Tubing Works.
- Structure Works /Weldment Profiles.
- Drafting of parts and assembly drawings for fabrication purposes.

Samples of our work

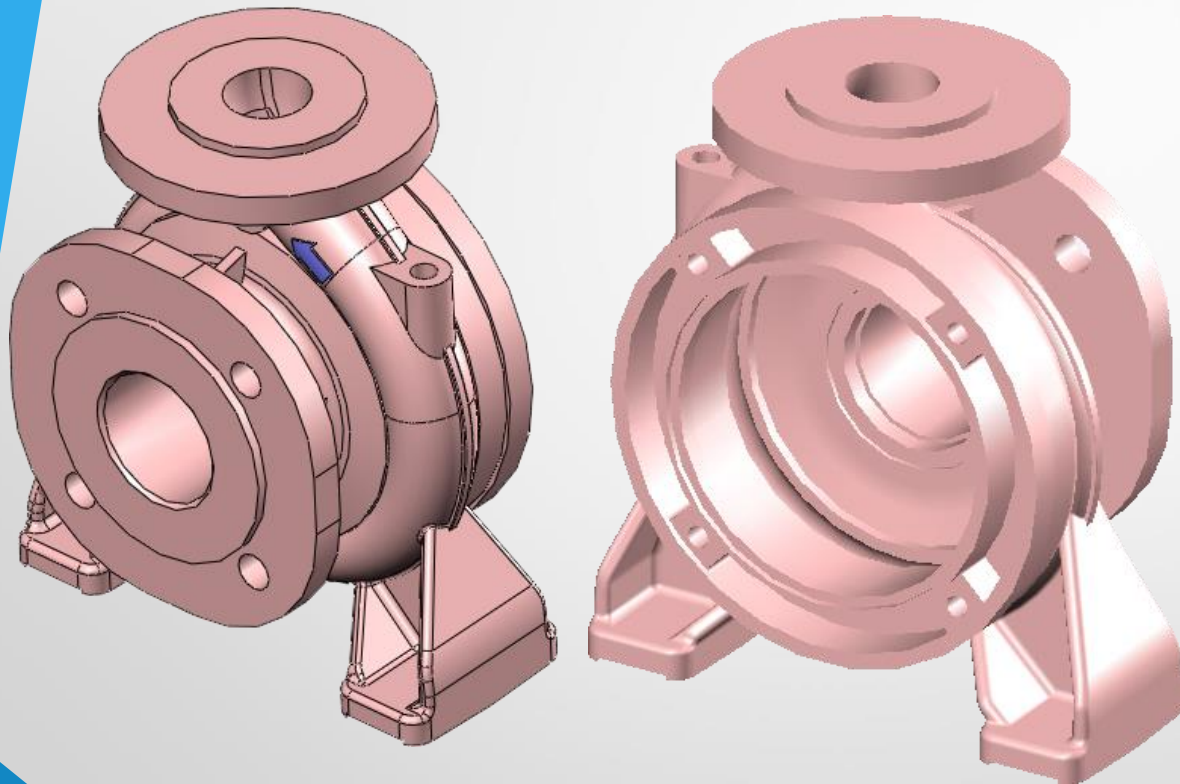
MECHANICAL EQUIPMENTS



- Prepared the 3D Model of Fire Tube Boiler including its all the parts and accessories.
- Performed the Assembly Modeling and generated the Bill of Materials.

BOILER ASSEMBLY

Samples of our work

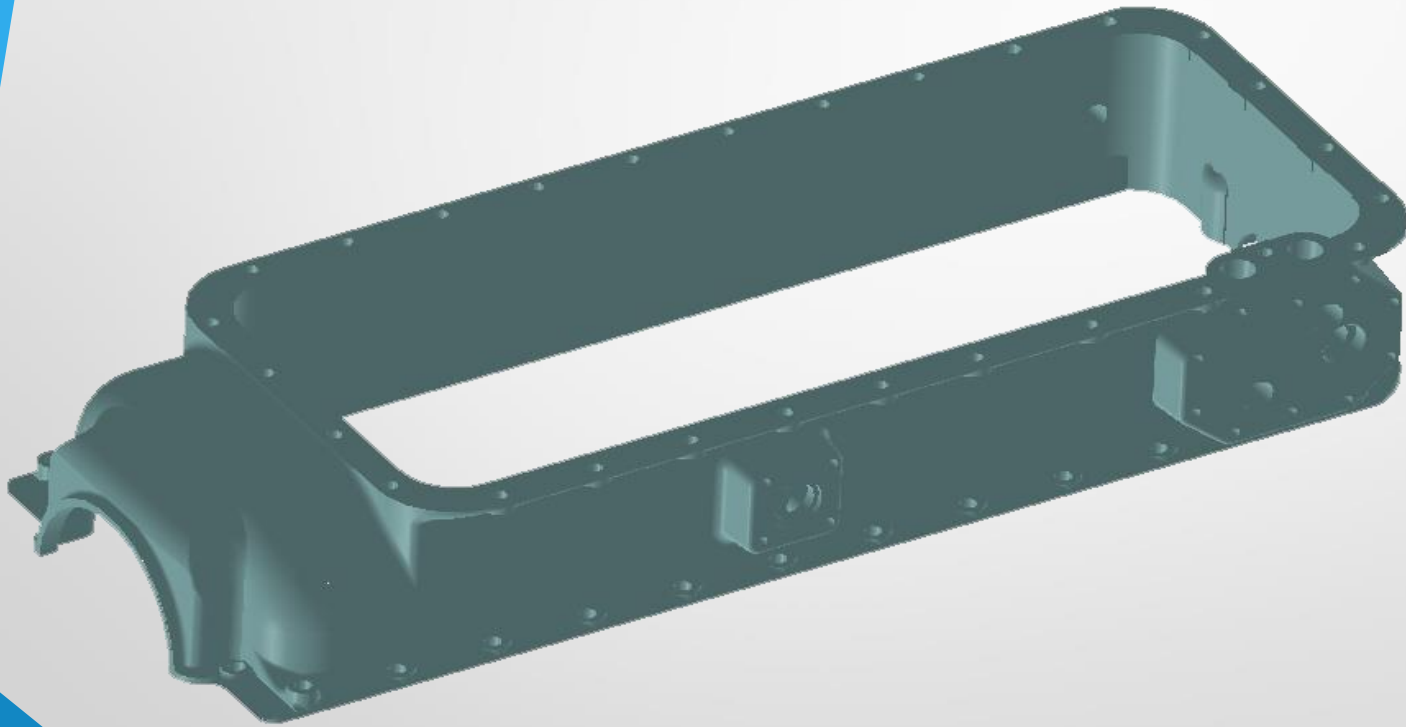


- Prepared the Submersible pump parts 3-D models.
- Prepared the Casting & Machining Drawings for the fabrication purposes.

SUBMERSIBLE PUMP

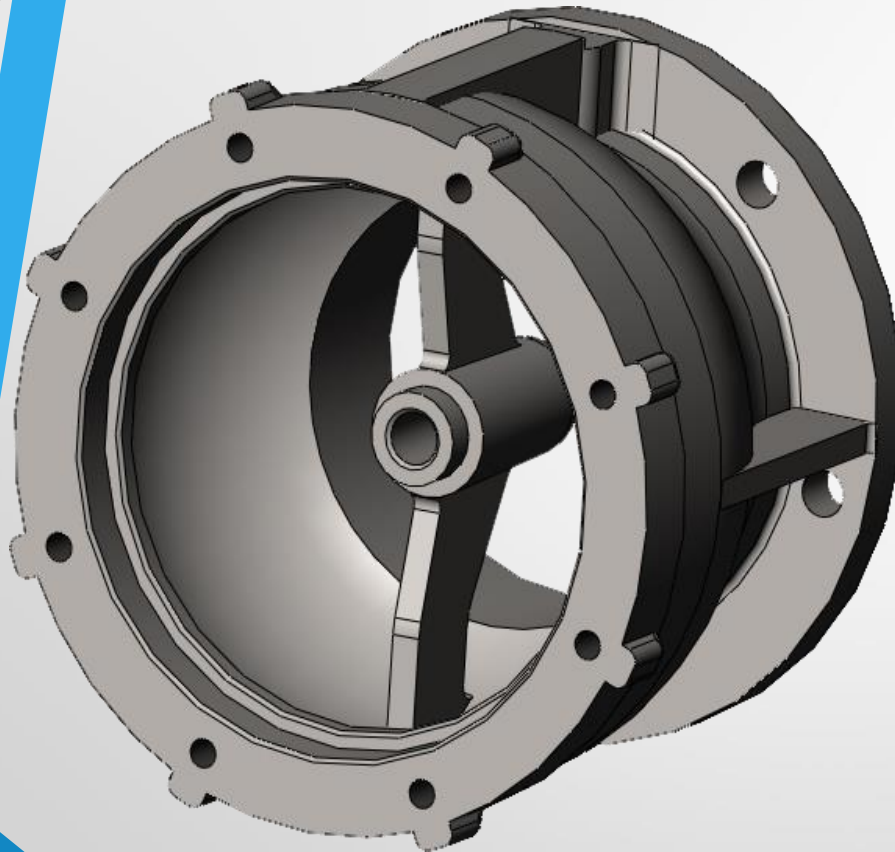
Samples of our work

- 3D-Modeling of Oil Sump of the I.C Engine used in the automobile industry.



OIL SUMP

Samples of our work

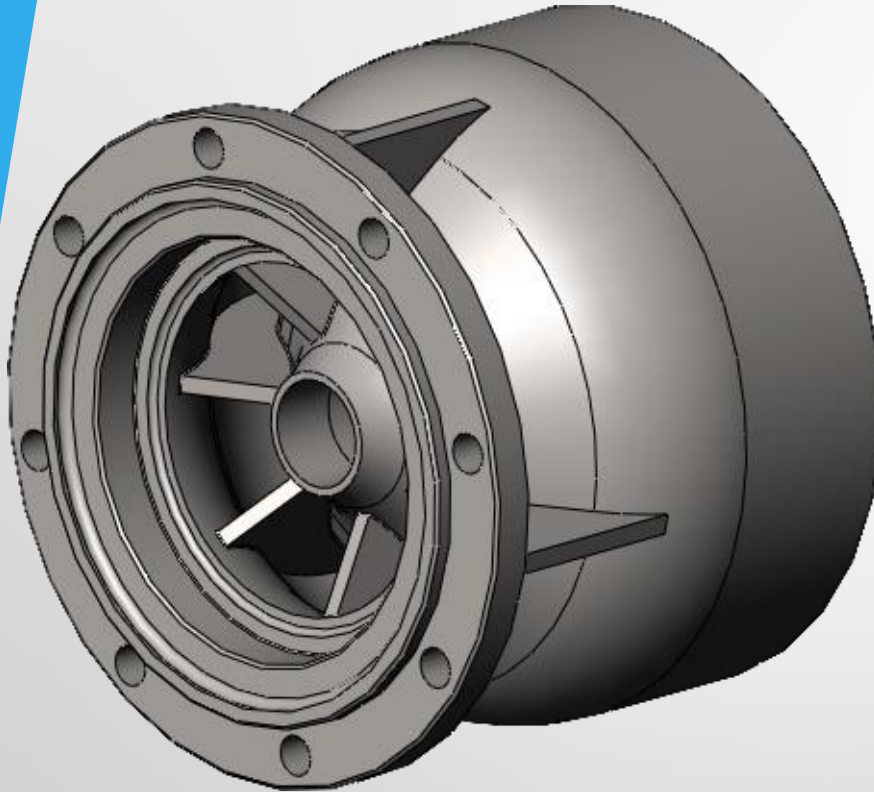


- Preparing the Casting & Machining 3-D models of Discharge section of Pump.

- Preparing the final drawings for fabrication purposes.

PUMP DISCHARGE BODY

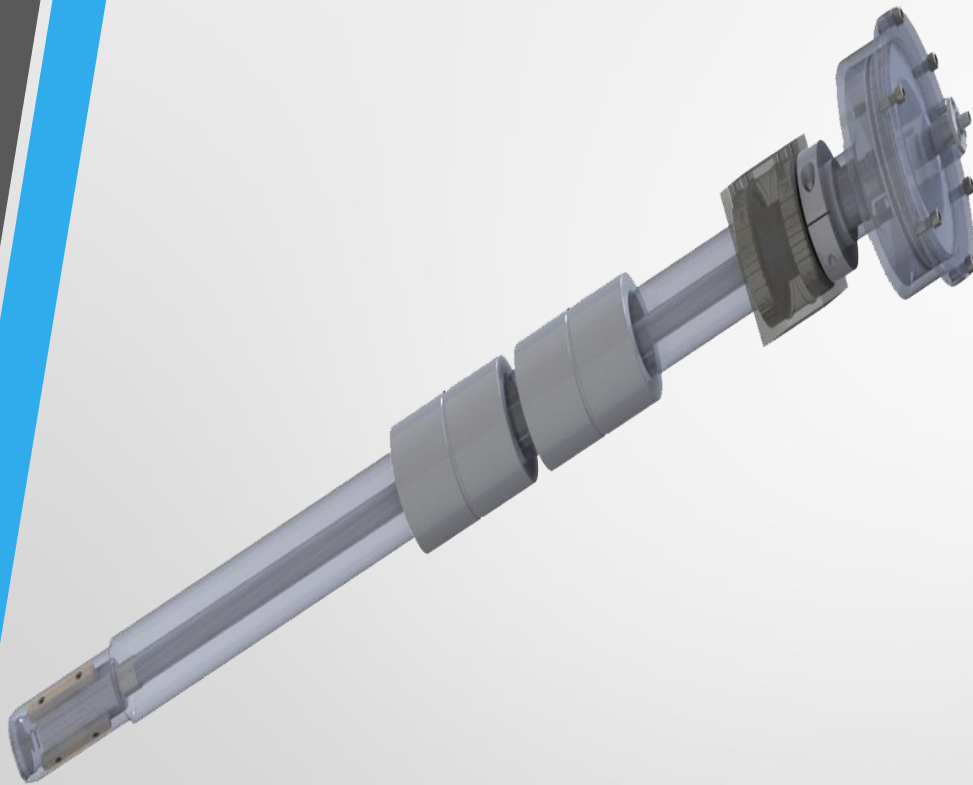
Samples of our work



- Preparing the Casting & Machining 3-D models of Diffuser section of Pump.
- Preparing the final drawings of Diffuser section for fabrication.

PUMP DIFFUSER

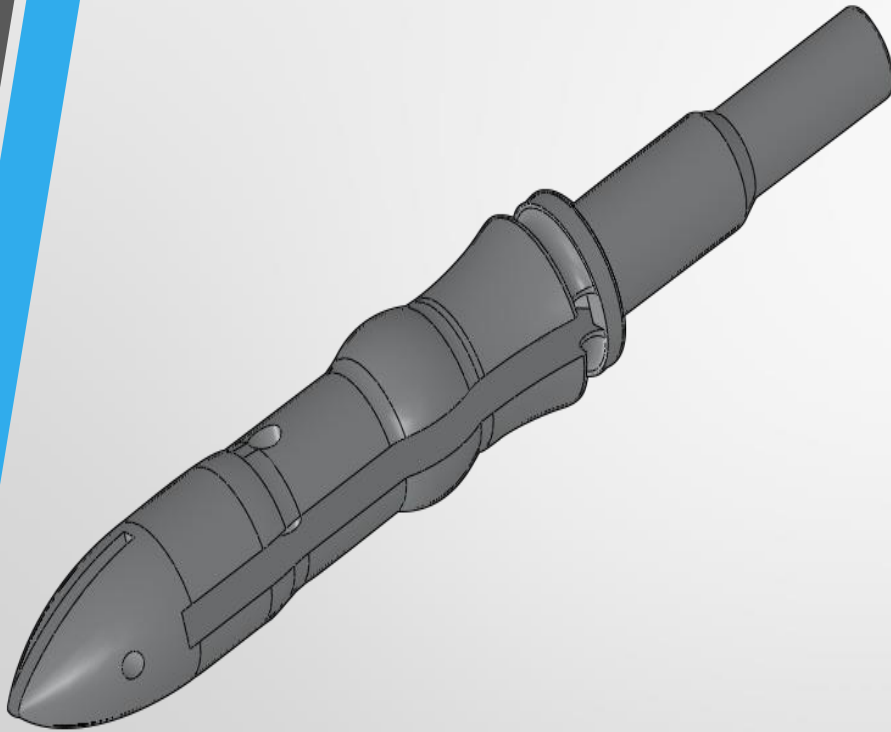
Samples of our work



- Prepared the 3-D model of different parts of Honing Tool & assembled to get final assembly.
- Performed the clash check & Hole-alignment checks for the final assembly.

HONNING TOOL

Samples of our work



- Prepared the 3-D model of this tool.
- Performed the geometry check of the model.

Samples of our work

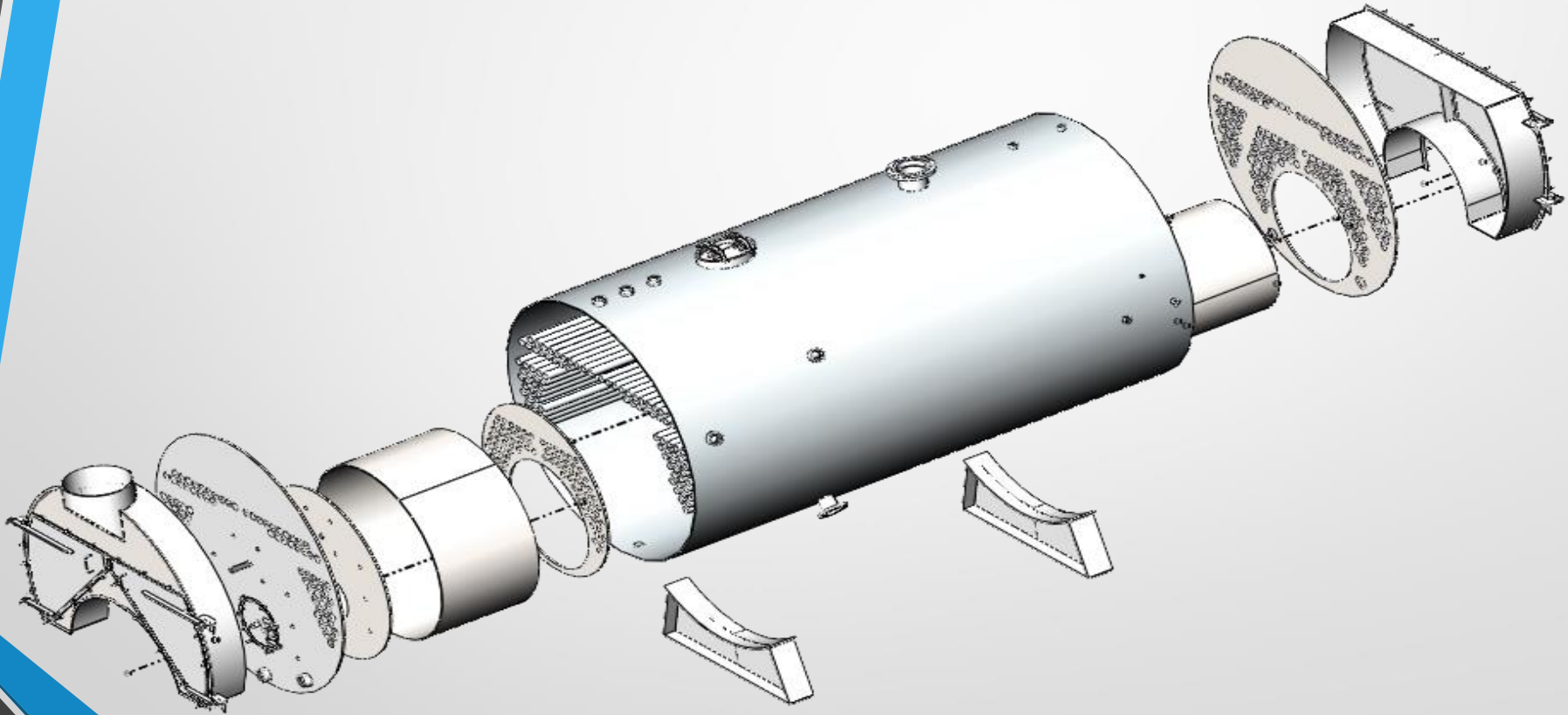
R BLADE

- Prepared the 3-D model of this tool.



Samples of our work

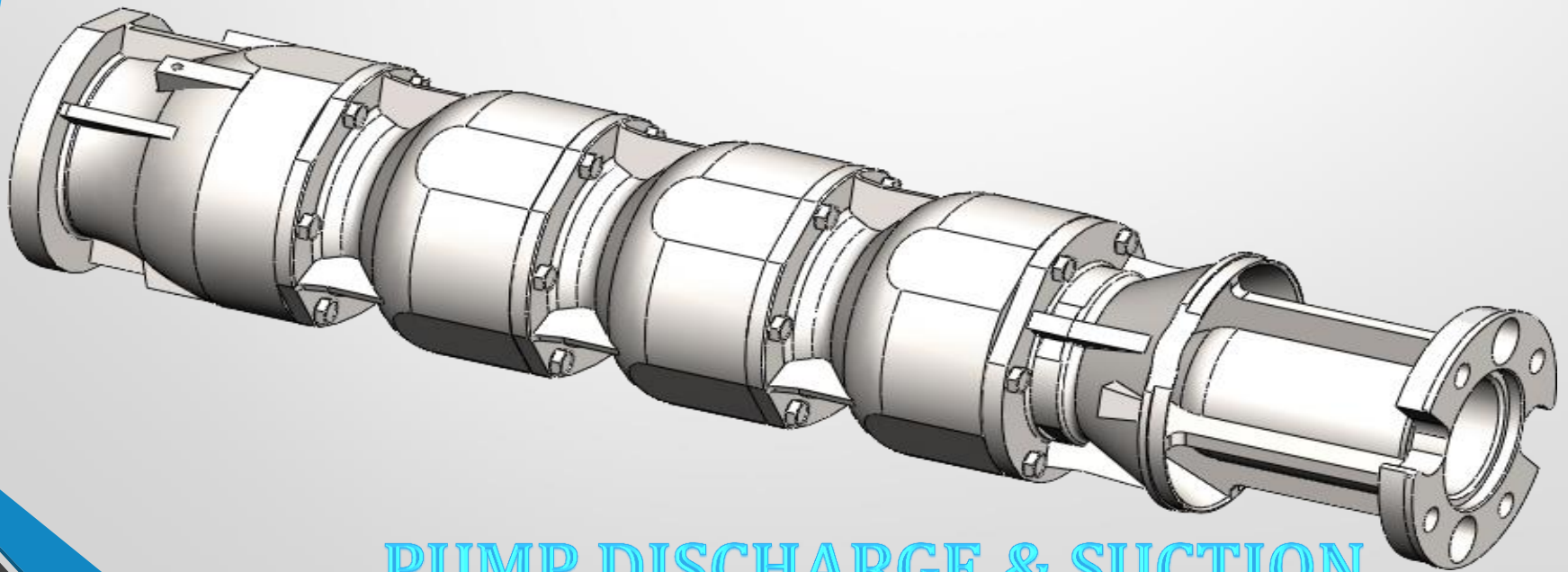
- Generating the exploded views of different assemblies & sub-assemblies to get the clear idea of how the parts are interconnected or linked to each other.



BOILER EXPLODED VIEW

Samples of our work

- Another sample of Pump Assembly showing the Bolting arrangement of the Suction and the Discharge section of Pump Assembly.
- We also provide the animation of the complete assembly showing how the different part get Assembled to each other for better clarity & understanding as per client requirement.

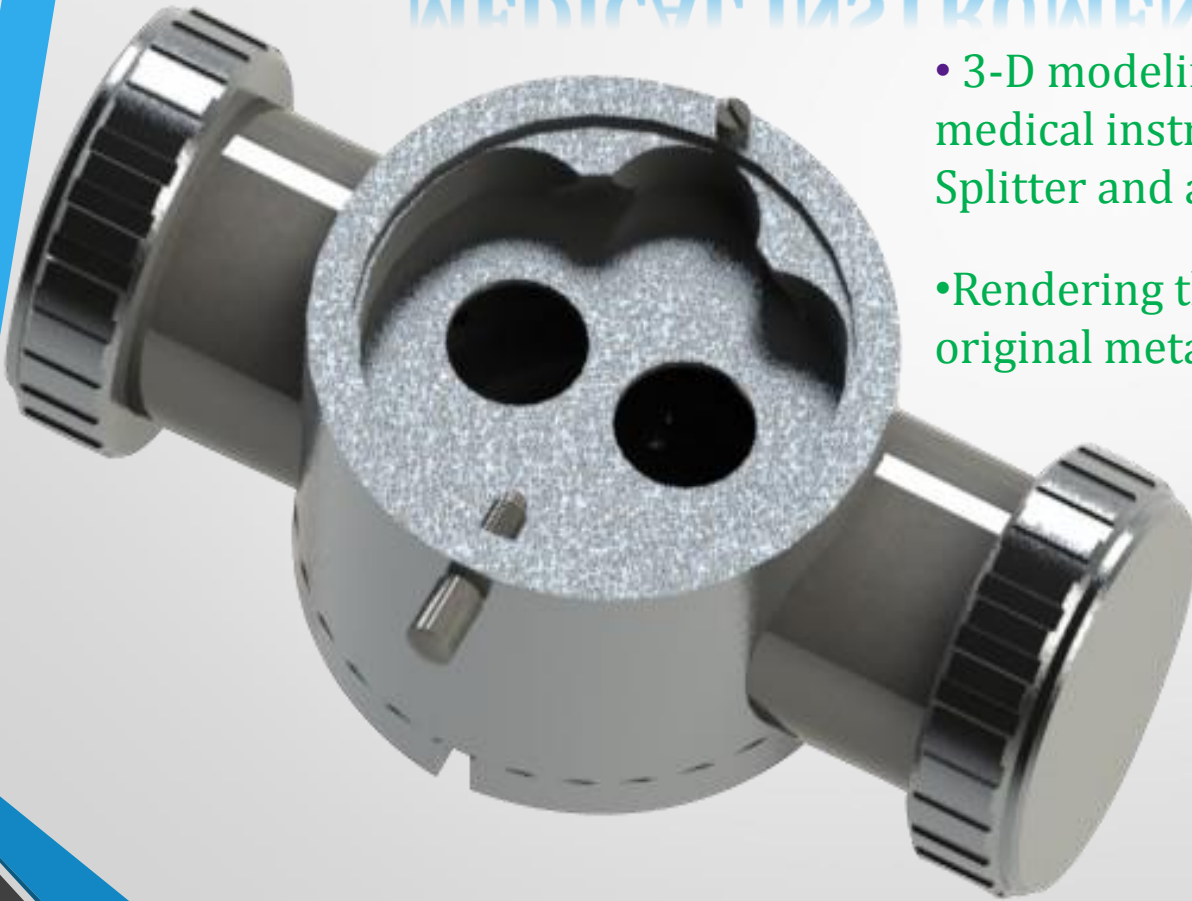


**PUMP DISCHARGE & SUCTION
ASSEMBLY**

Samples of our work

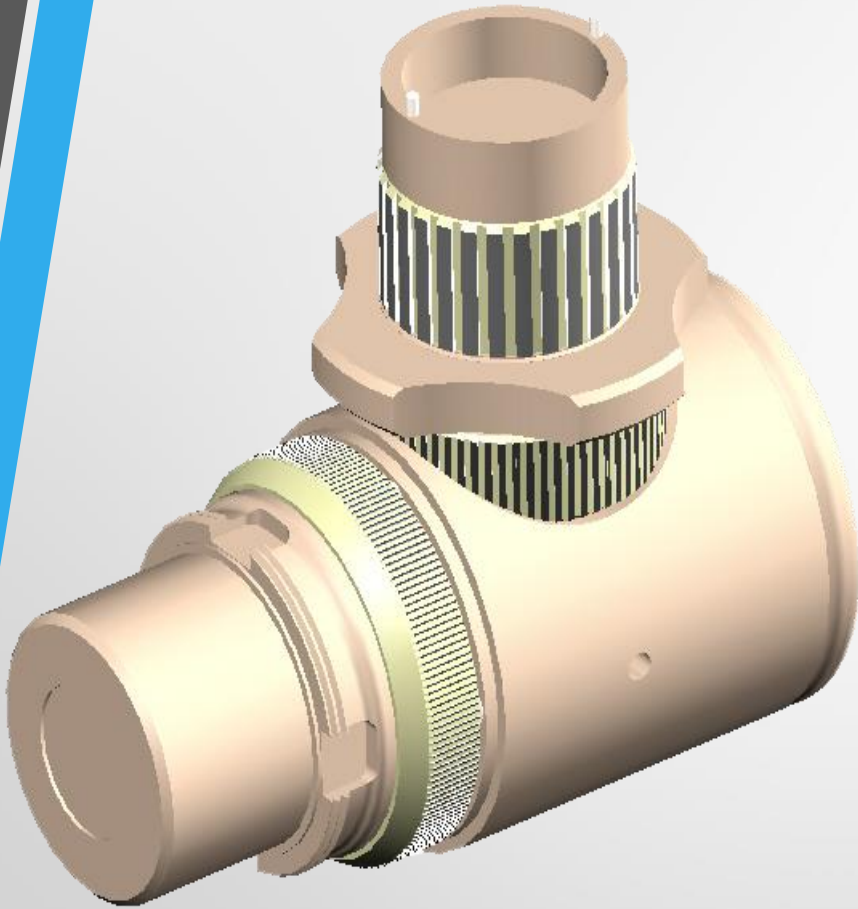
MEDICAL INSTRUMENTS

- 3-D modeling of different parts of medical instruments such as Beam-Splitter and assembling them.
- Rendering the final assembly to get the original metal finish and look.



BEAM SPLITTER

Samples of our work



- Another sample of 3-D modeling of different parts of medical instruments known as Iris Video Adapter.
- This Video adapter is basically used for Eye check up purpose.

IRIS VIDEO ADAPTER

Samples of our work

- Design of surgical scissors used in the medical industry.
- Rendering the final design to get the realistic view of the product.



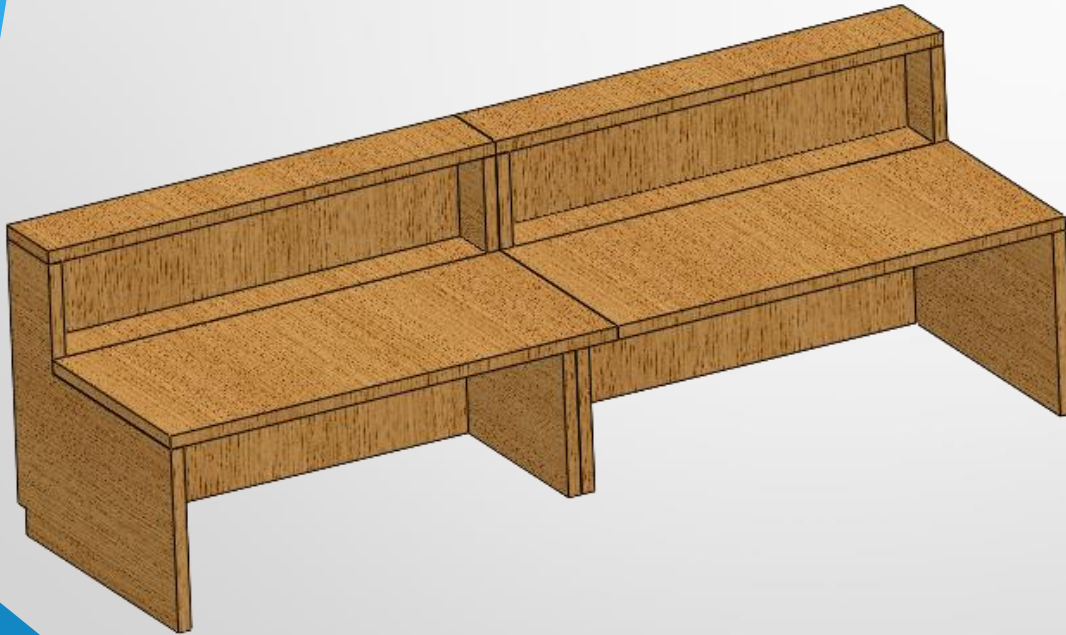
MEDICAL SCISSOR

Samples of our work

WOODEN WORK & INTERIOR DESIGN

- Design of Reception Desk and counters.

- Design of Office lobby and house hold furniture in both wooden and metal finish.



RECEPTION DESK

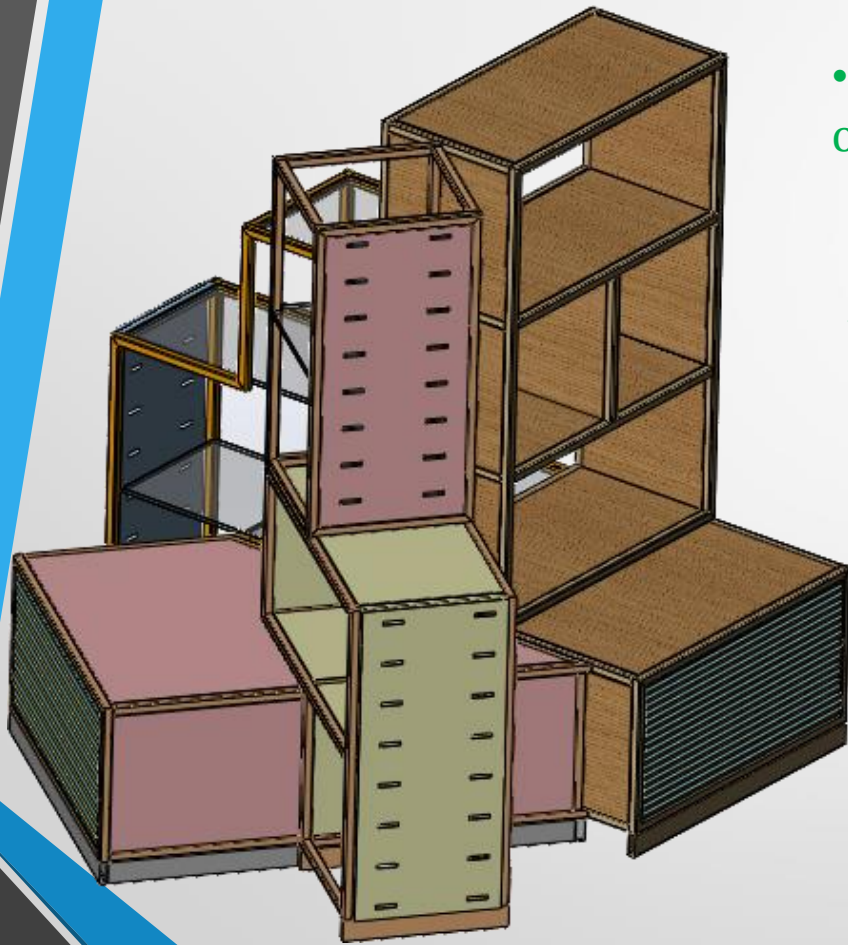
Samples of our work



- Design of cabinets and shelves for departmental stores & fashion retail industry.
- These cabinets and shelves are designed not just for model look but these also work mechanically according to their functionality and as per client requirement.

CABINET

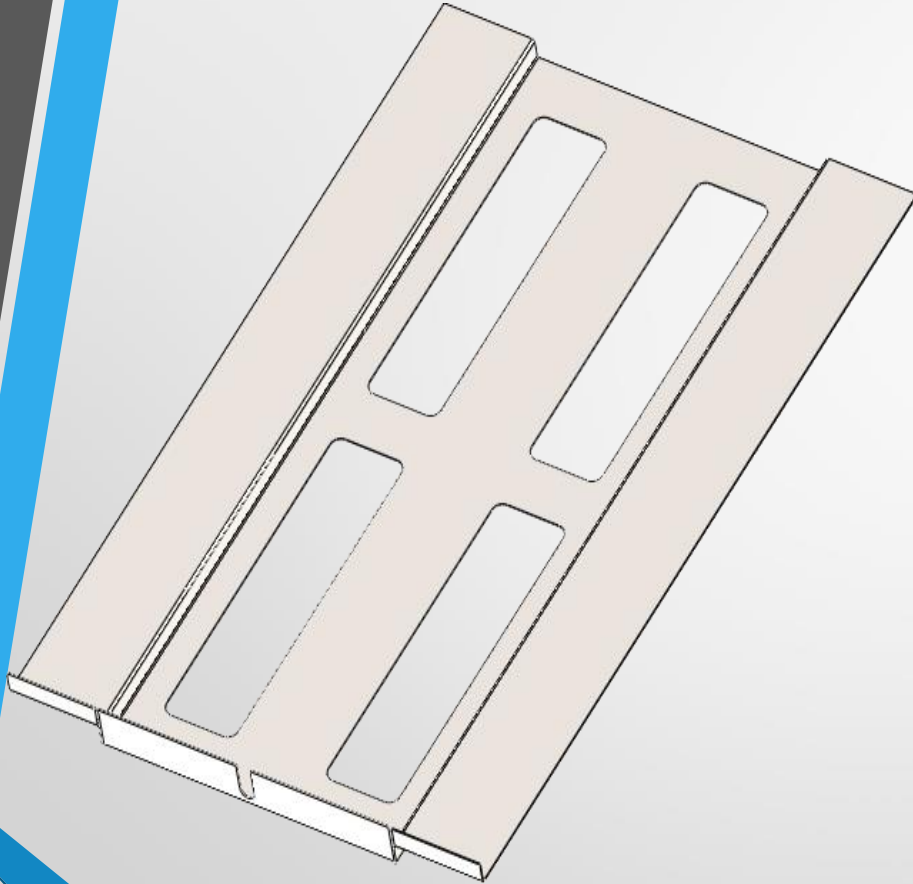
Samples of our work



- Design of kids playing units and furniture's often used in the play schools.
- These playing units may be designed of wooden or metal works as per requirement.

KIDS PLAYING UNIT

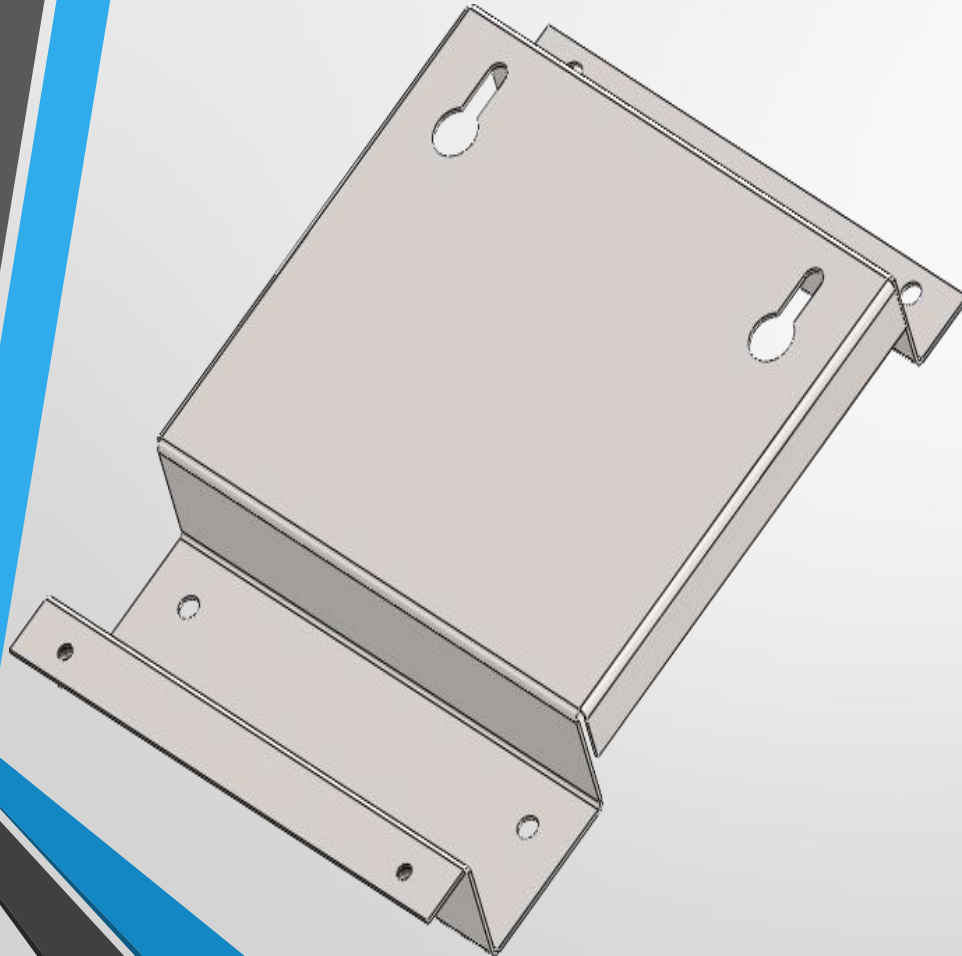
Samples of our work



- Performed various bending operations and created flanges and cut-outs as given Bending Allowance and metal thickness.
- This sheet metal part is designed for the workshop table used for various machining process.

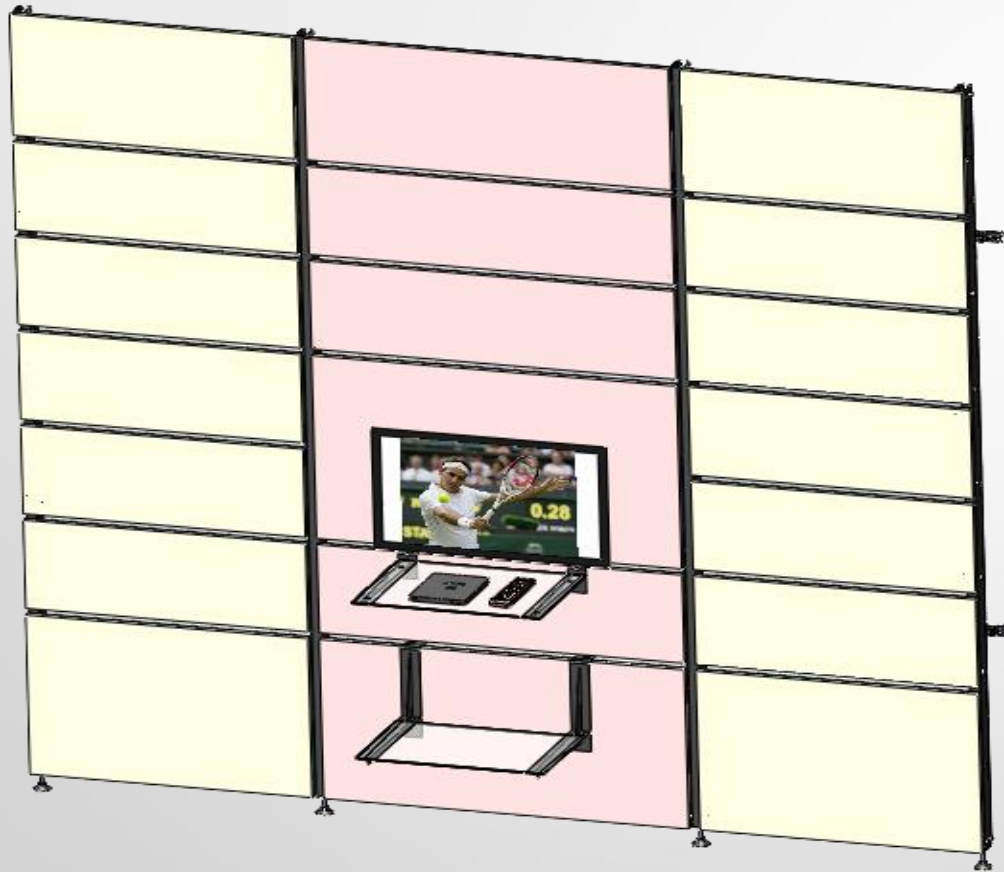
SHEET METAL DESIGN

Samples of our work



- This is another sample of sheet metal work showing the slots and holes performed on the part.

Samples of our work



- Design of TV display systems and counters used in the electronic stores and malls.

TV DISPLAY SYSTEMS

Samples of our work

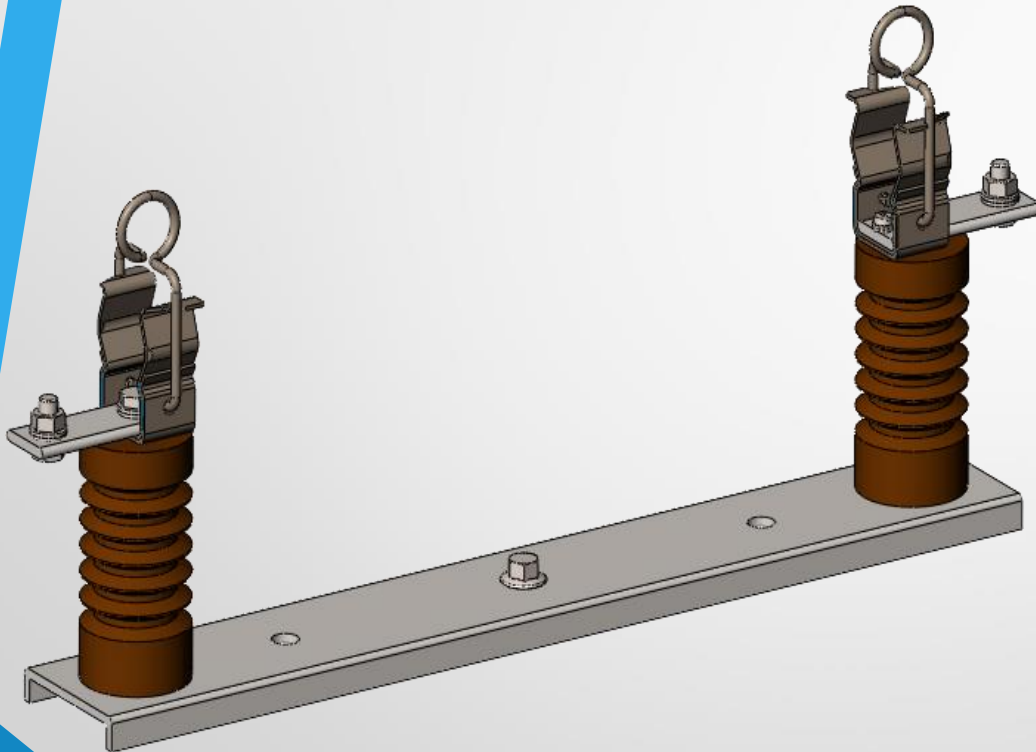


- Performed 3-D Modeling of the bottles and assembly.
- Packing up the final assembly as per requirement.
- Performed the rendering operation to get the final finished look.

BOTTLE

Samples of our work

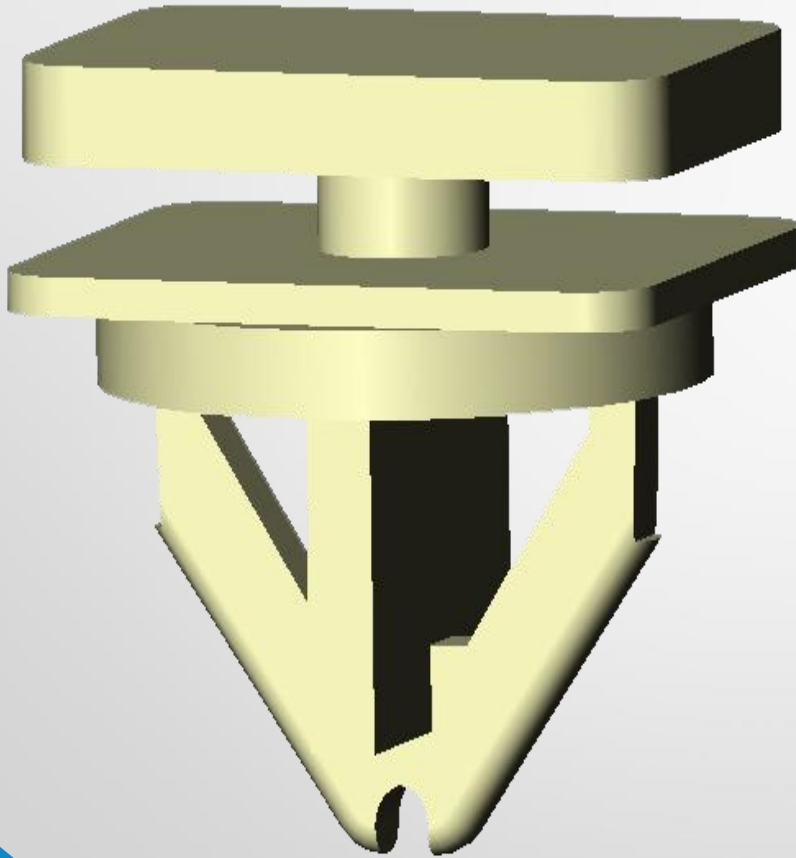
ELECTRICAL PRODUCTS & ACCESSORIES



- Design of different fuse mounting base parts for HV fuse links.
- Assembling of different fuse base parts for getting the finished design.

FUSE MOUNTING BRACKET

Samples of our work



- Design of different parts of clip in part modeling & sheet metal work bench.
- Assigning materials to different parts.
- Assembling the different parts & checking if any clashes in the final model.

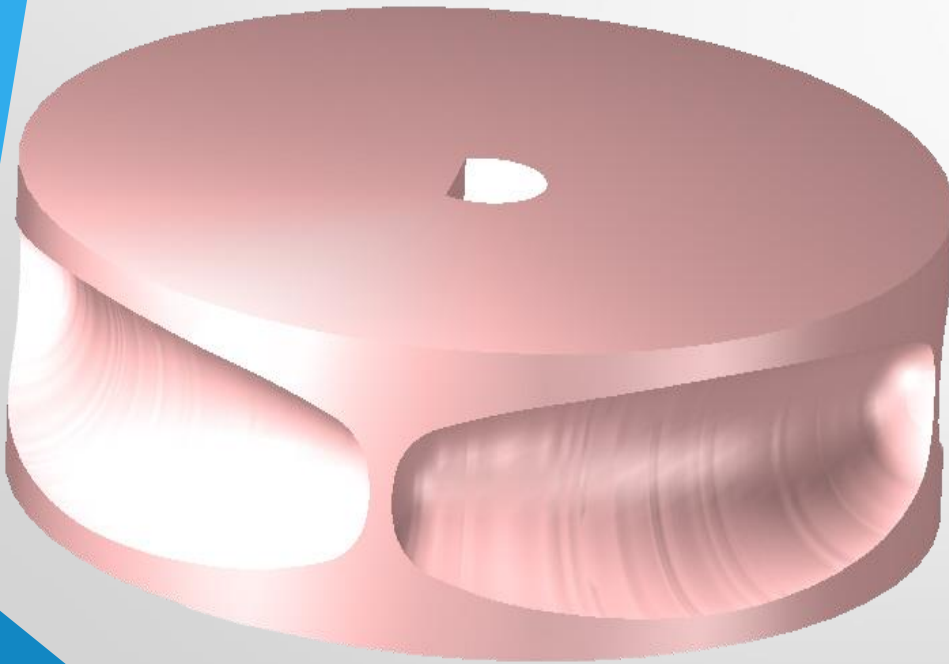
CLIP ASSEMBLY

Samples of our work

COMPLICATED PROFILES

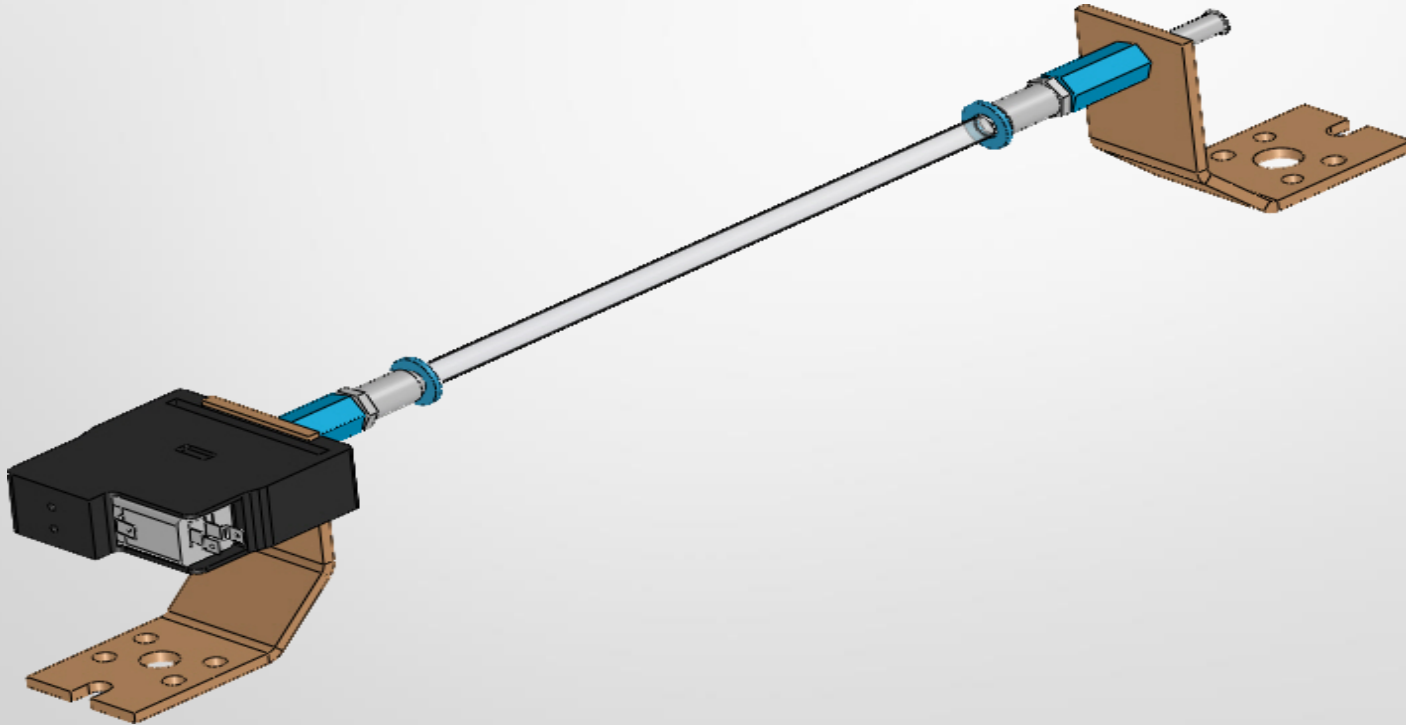
- Designing of the complicated curves and profiles to get the finished product.

- This profile seen here has been designed from 192 complicated curves to get final finish touch.



Samples of our work

- Designing and assembling of different valves & fittings to get the final electronic product.
- Performed tubing work to complete the connections.

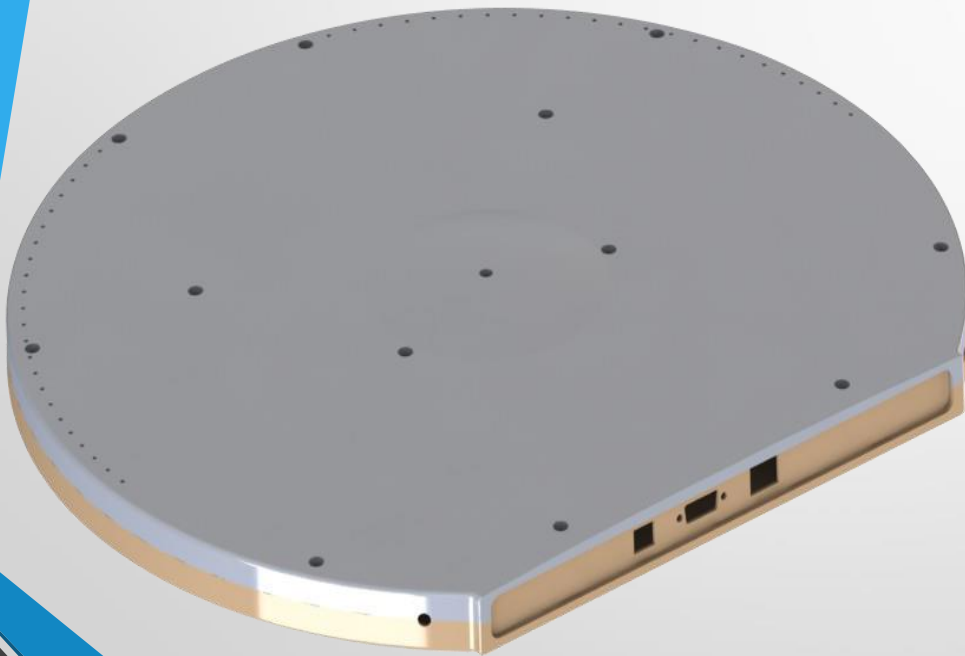


FUSE ASSEMBLY TUBING & FITTINGS

Samples of our work

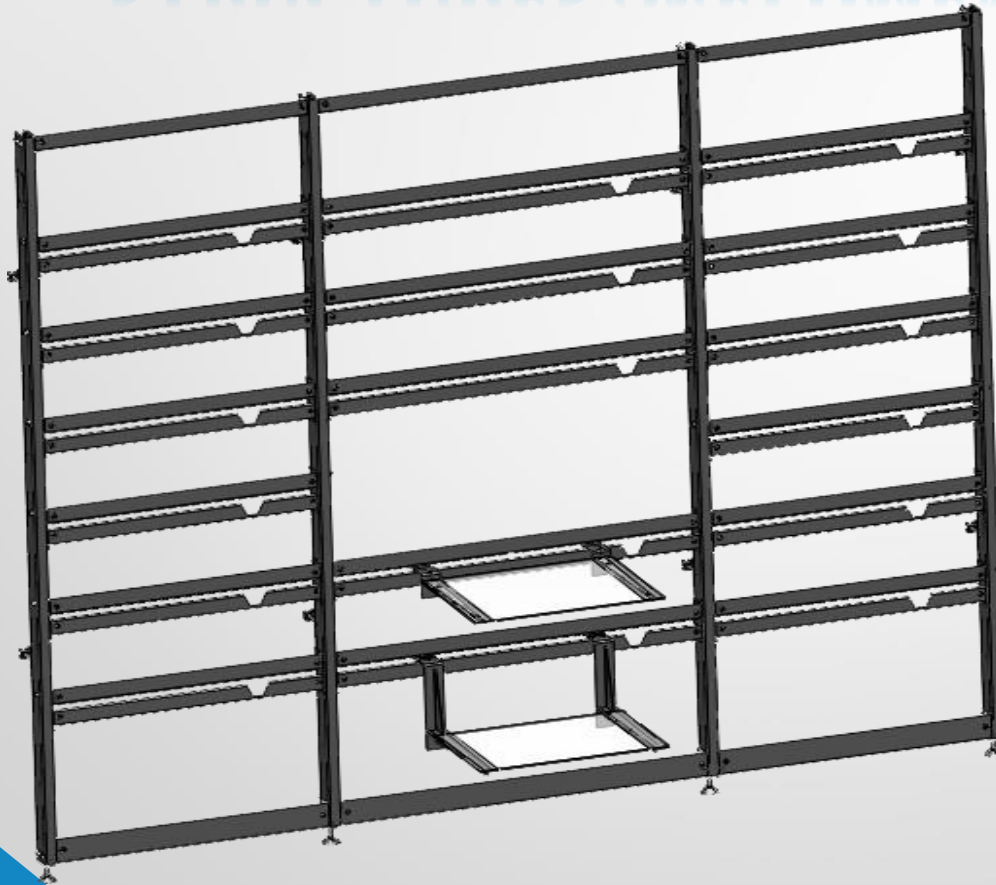
PCB HOUSING

- Prepared the 3-D Model of the PCB housing which contains chips & electronic circuits.
- Rendered the model to get the finished look of the product.



Samples of our work

STRUCTURES/WELDMENT PROFILES

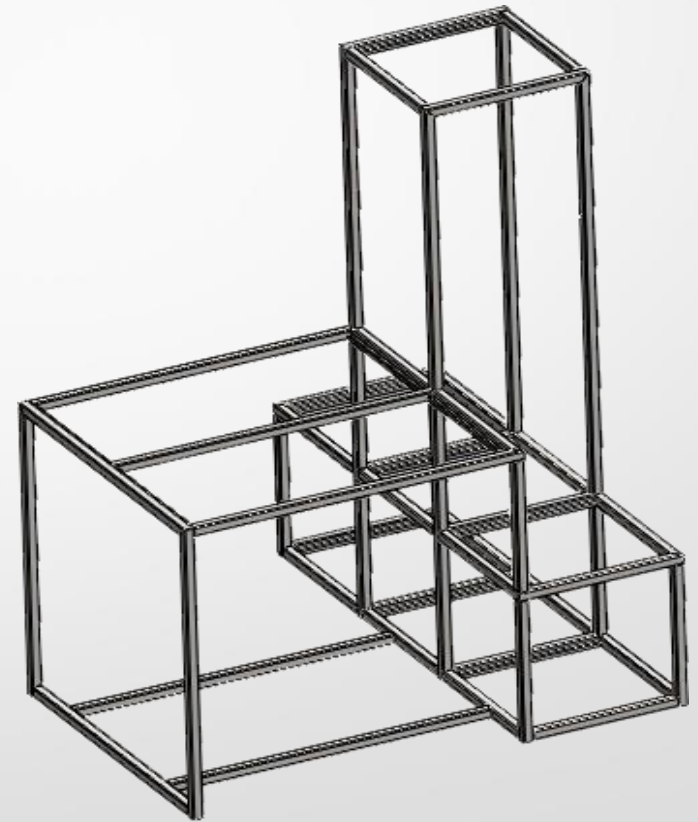


- Prepared the 3-D Model of the structural frames for different Purposes.

1.FRAME ASSEMBLY

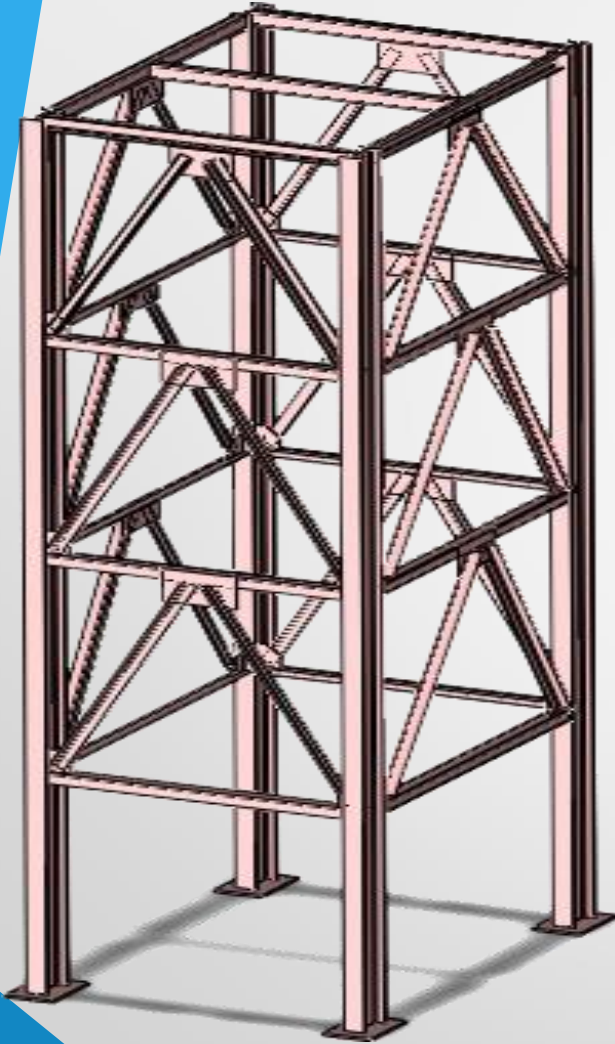
Samples of our work

- Prepared the 3-D Model of the structural frames for Furniture works.



2.METAL FRAMES

Samples of our work

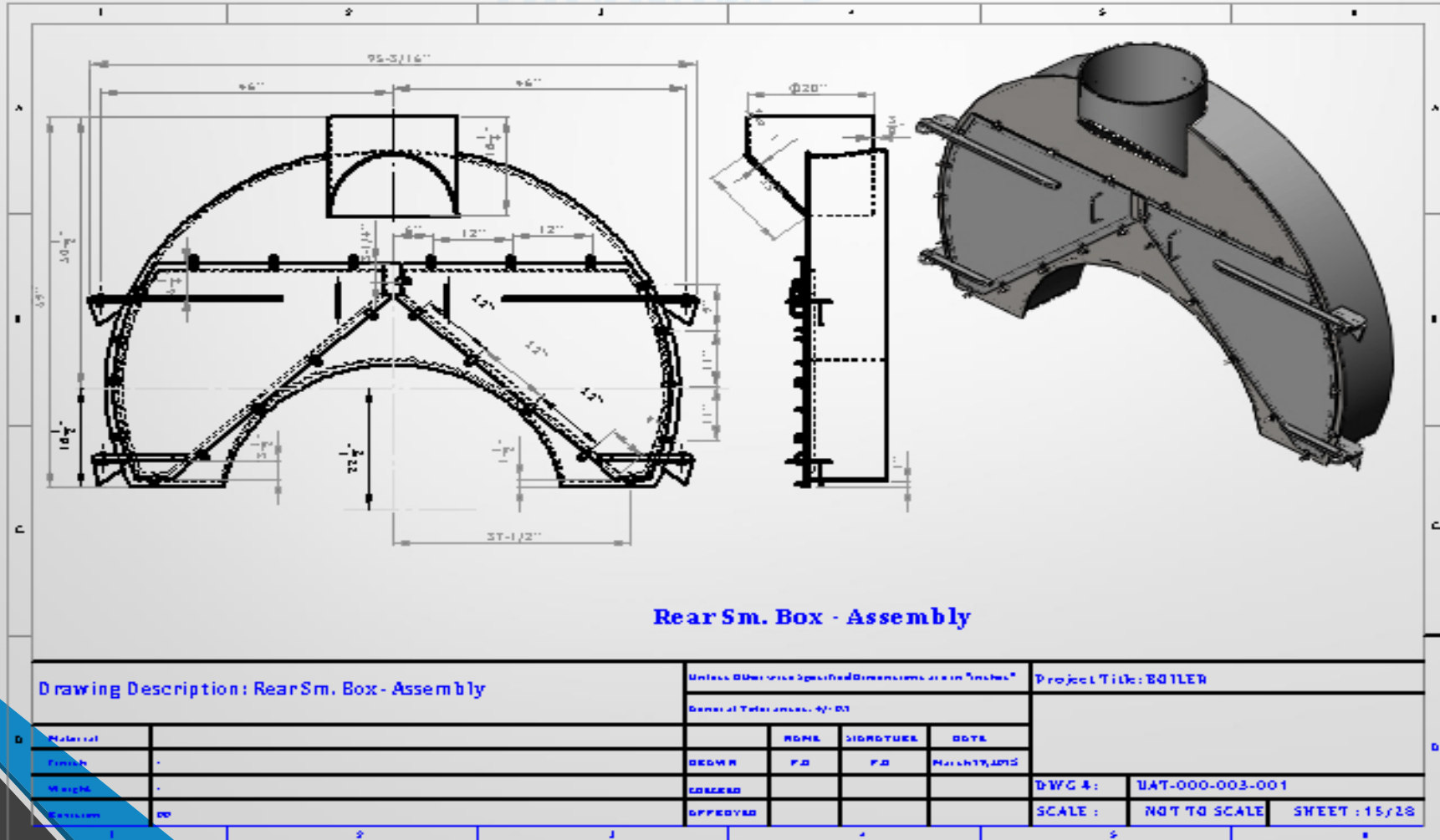


TOWERS

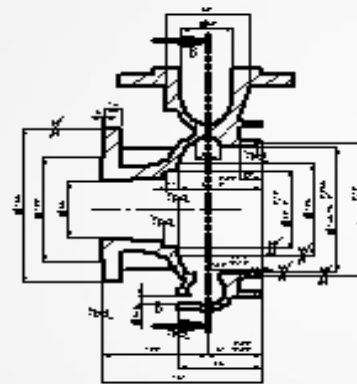
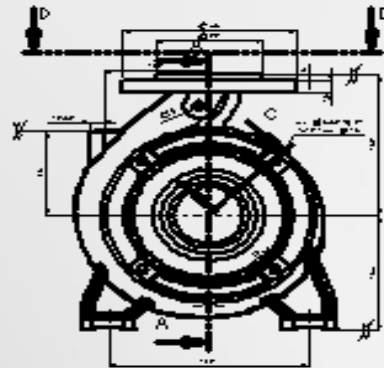
- Prepared the 3-D Model of various towers and platforms.
- We also perform the 2-D to 3-D conversions of structures and equipments for various plants and industries.

Samples of our work

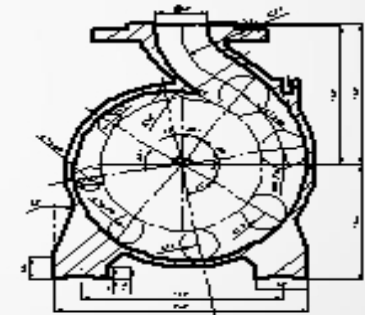
DRAWINGS



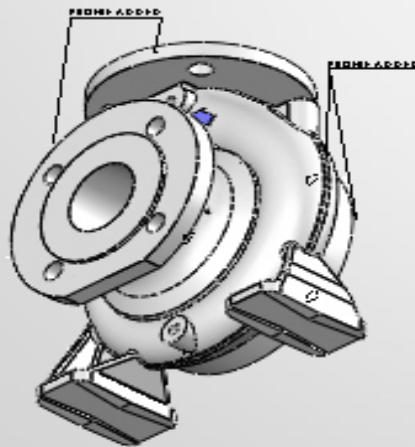
Samples of our work



SECTION A-A



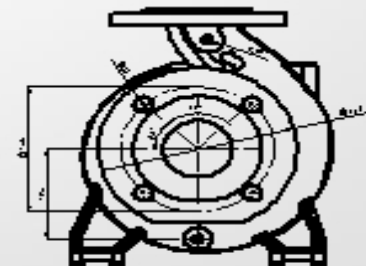
SECTION B-B



SECTION C-C



VIEW D-D



MATERIALS		QUANTITY		REMARKS	
NO.	DESCRIPTION	NO.	DESCRIPTION		
1	CAST IRON 025				
				MACHINING MODEL	
				PUMP	
				201602W	
				AS	

QUALITY MODELING

We are a step ahead in 3-D Modeling and drawing from our competitors in a number of ways because we not only perform 3-D modeling but also assure our clients that our models are correct as we perform following quality check before submission.

- **Clash Checks** : We perform clash check after completing the assembly models and assure that there are no clashes in our final finished models.
- **Geometry Analysis** : We also perform the geometry analysis for sharp corners and distortions and notify the client for any changes if required.
- **Symmetry Checks**: We also confirm the symmetry check if the given product for modeling is symmetric or not.
- **Hole-Alignment Check**: Performing hole-alignment check for assemblies to assure our clients that model is correctly assembled.

OUR OTHER CAPABILITIES

- We can also perform 2-D to 3-D piping & tubing works .
- We can also perform pneumatic tubing works in Electrical panel, junction boxes etc.
- We can also perform animation work for various mechanical systems showing their mechanical functionalities.



Thank
You